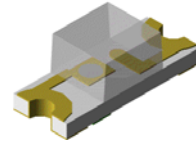


3.2x1.3mm Reverse SMD LED 1.1mm Height

VS 8WF8.30

Description

The major breakthrough in VS 8WF8 is WHITE color emitted SMT LED. This series of top emitting devices are operating under low current driving condition suitable for backlighting applications or applications call for light emitting from unique angle.



Feature

- Package: Top emitting SMT-package, brightness, Vf and color categorized for each reel
- InGaN Technology
- Assembly: Suitable for all SMT assembly methods

Application

- General lighting indicator
- Backlighting (LCD, switches , keys, display)
- Interior automotive



Electronic Optical Characteristics (at 5mA):

Part Number	Emitted Color	C.C		Lens Color	Iv(mcd)		View Angle	VF(V)	
		X	Y		Min.	Typ.		Typ.	Max.
VS 8WF8.30	White	0.29	0.30	Yellow Diff.	28	112	140	2.7	3.2

Absolute Maximum Ratings (at Ta=25°C)

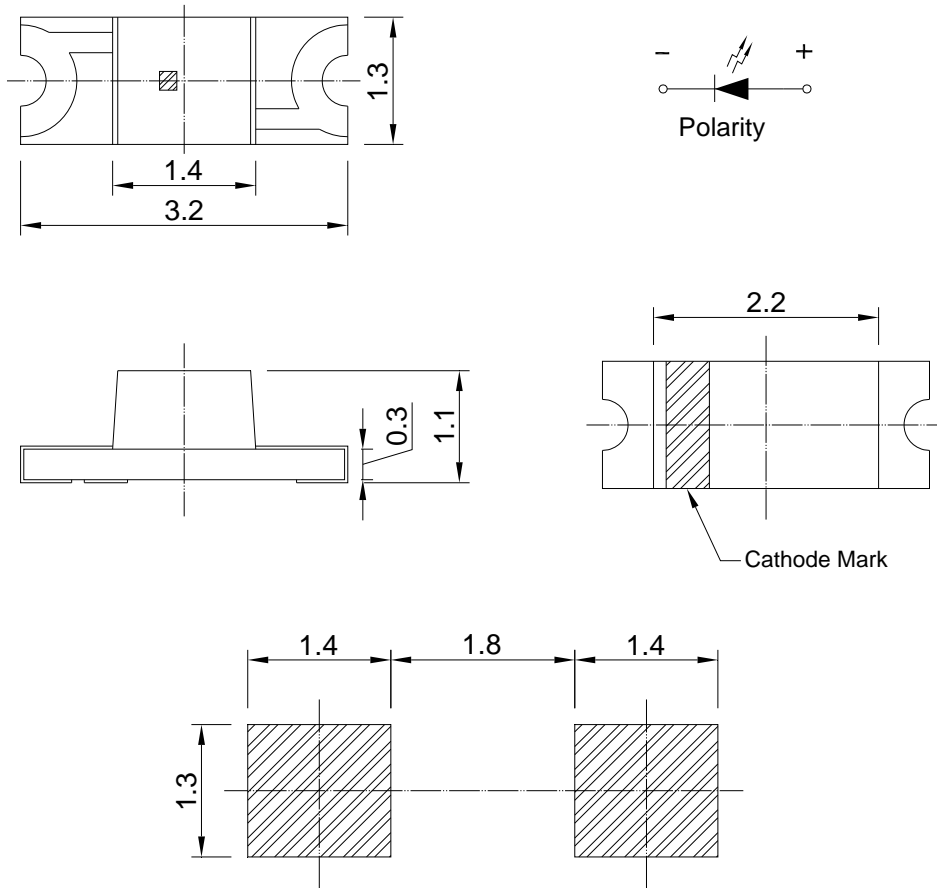
P _D (mW)	I _{FP} (mA)	I _F (mA)	Iron Solder(°C)	I _R (uA)@V _R =5V	Topr(°C)	Tstg(°C)
110	100*	25	350 ± 5 for 3 sec.	50	-40~+85	-40~+100

Note: Please take note the Absolute Maximum Rating values. Any operation beyond the specify ratings in this table will result degradation of LED life-span and may cause LED to fail.

* I_{FP}: Peak Forward Current under 1/10 duty, 1KHz condition

Package Dimension:

unit:mm

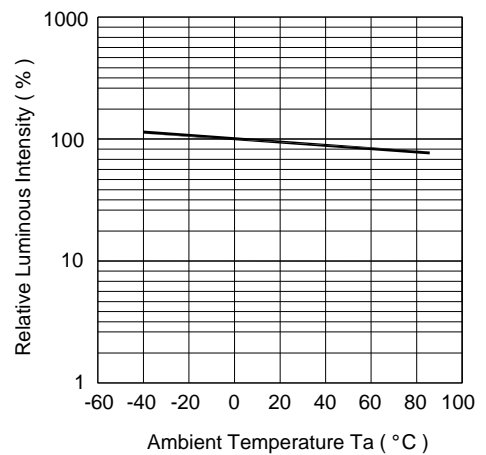
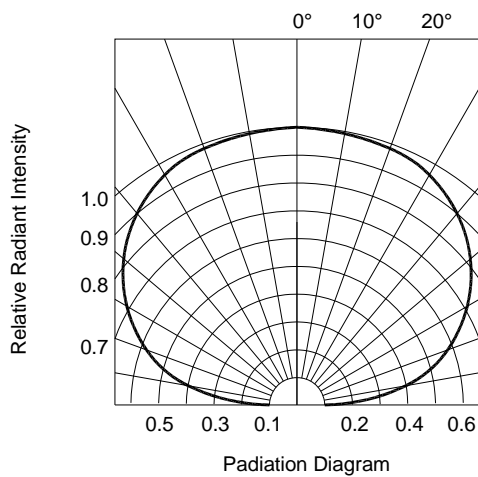
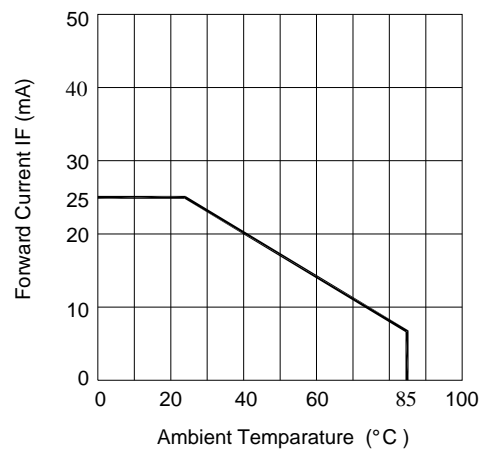
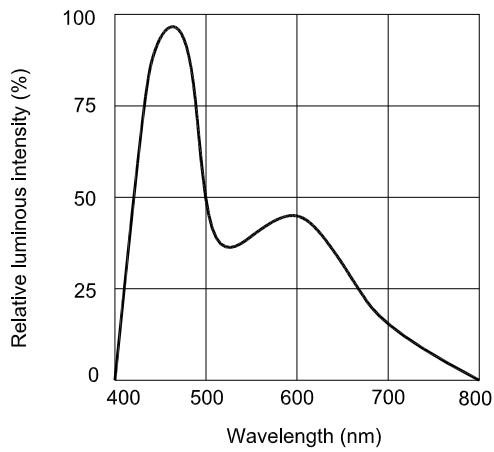
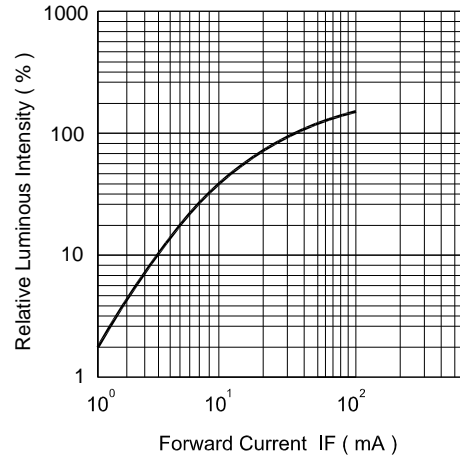
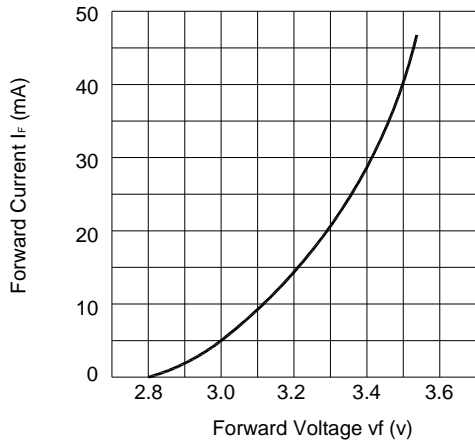


Recommended Soldering Pad

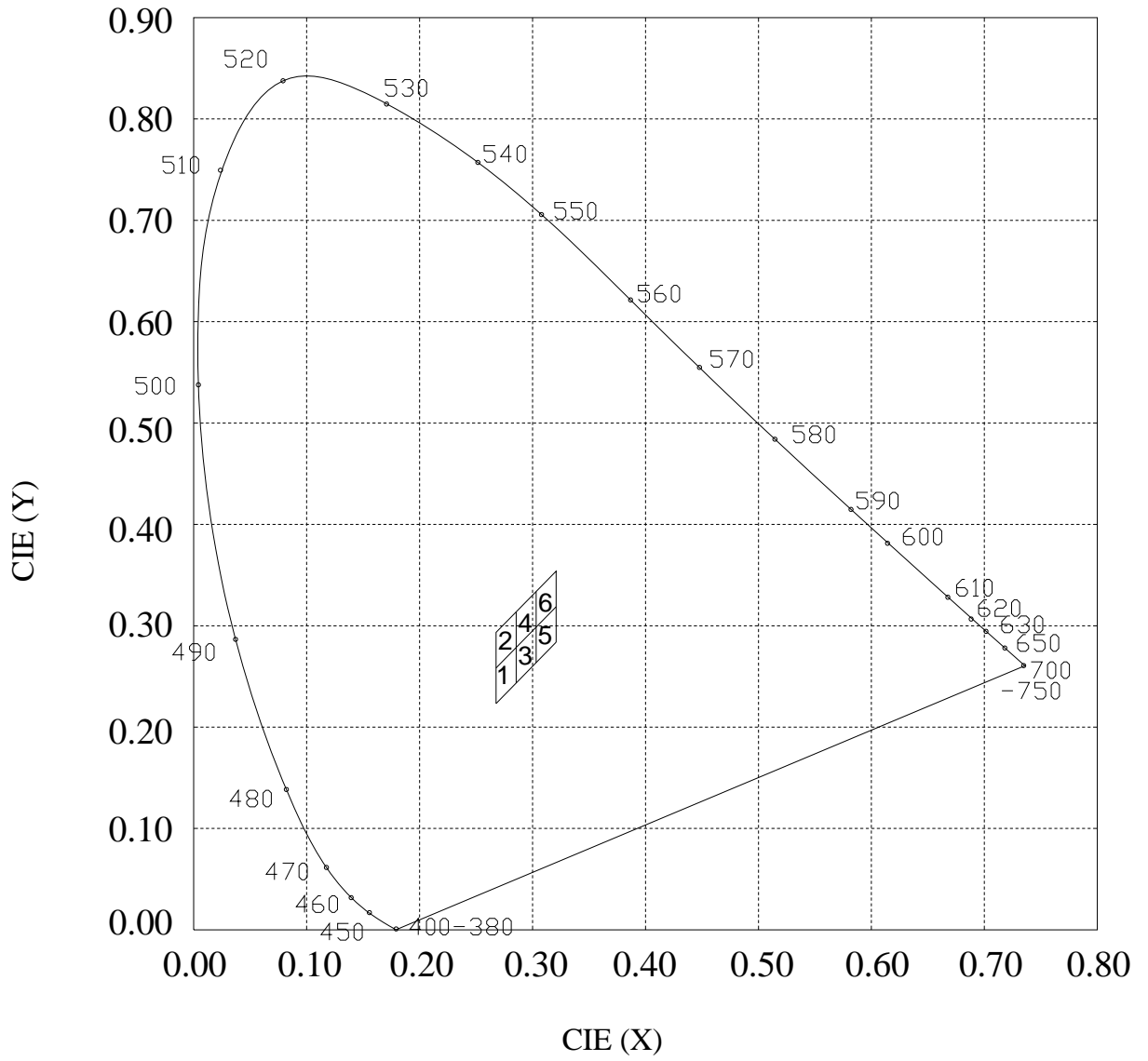
Notes:

1. All dimensions are millimeters.
2. Tolerance is $\pm 0.2\text{mm}$ unless otherwise specified.
3. Specifications are subject to change without notice.

Typical Electro-optical Characteristics Curves



CIE Chromaticity Diagram



Color Ranks ($I_f=5\text{mA}$, $T_a=25^\circ\text{C}$)

Rank	CIE x	CIE y
1	0.274	0.226
	0.274	0.258
	0.294	0.286
	0.294	0.254
2	0.274	0.258
	0.274	0.291
	0.294	0.319
	0.294	0.286
3	0.294	0.254
	0.294	0.286
	0.314	0.315
	0.314	0.282
4	0.294	0.286
	0.294	0.319
	0.314	0.347
	0.314	0.315
5	0.314	0.282
	0.314	0.315
	0.334	0.343
	0.334	0.311
6	0.314	0.315
	0.314	0.347
	0.334	0.376
	0.334	0.343

Measurement uncertainty of the color coordinates: ± 0.01

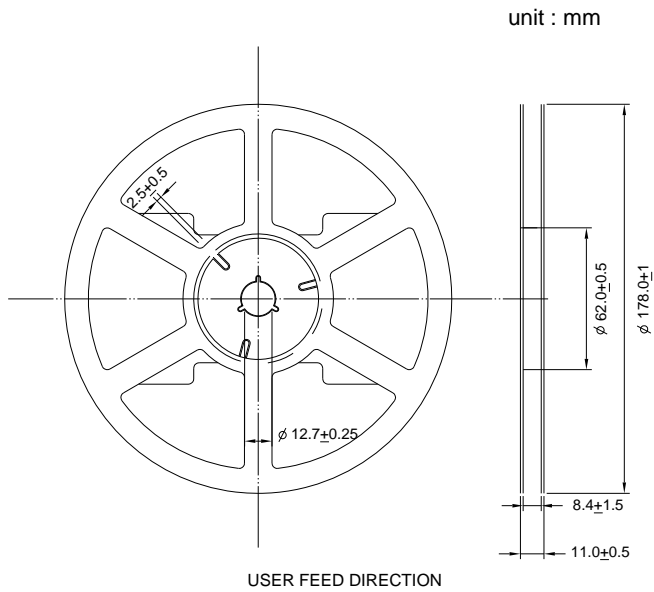
Forward Voltage Ranks (at 5mA)

V_F Rank	1	2	3
Min.	2.70	2.85	3.00
Max.	2.85	3.00	3.20

Luminous Intensity Ranks (at 5mA)

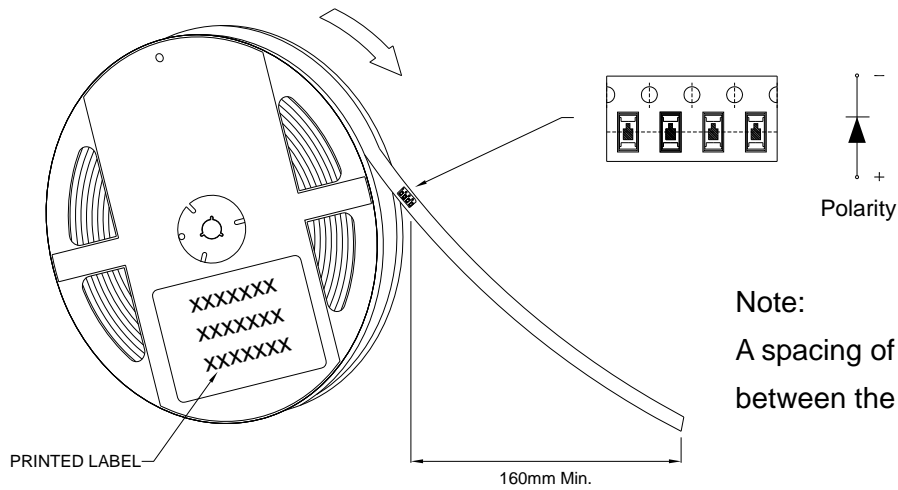
I_v Ranks	30	31	32
Min.	28	45	71
Max.	45	71	112

Reel Dimension:



Note:

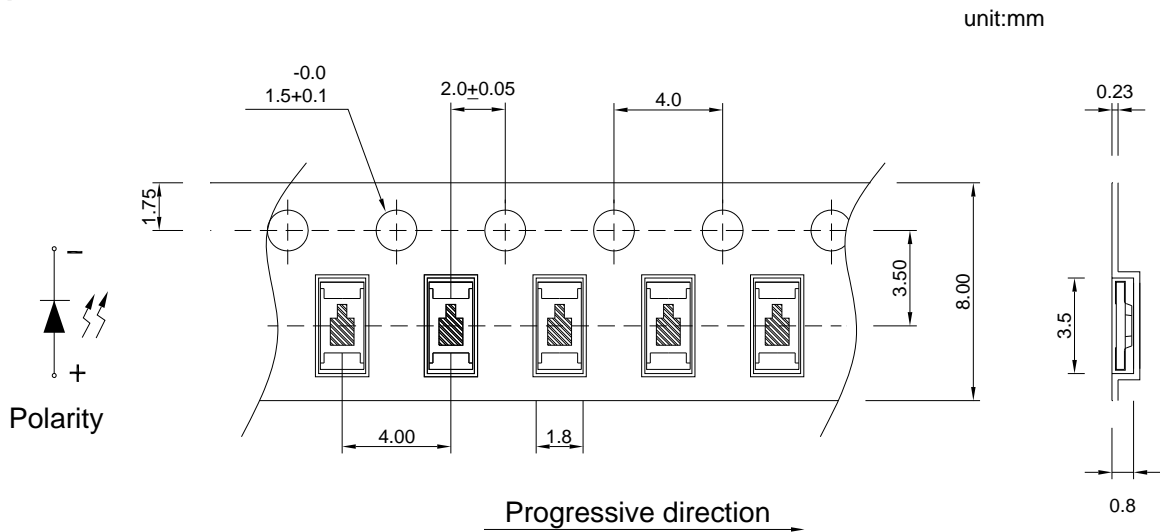
Available in 8mm carrier tape on 178mm diameter reels. (3,000 pieces)



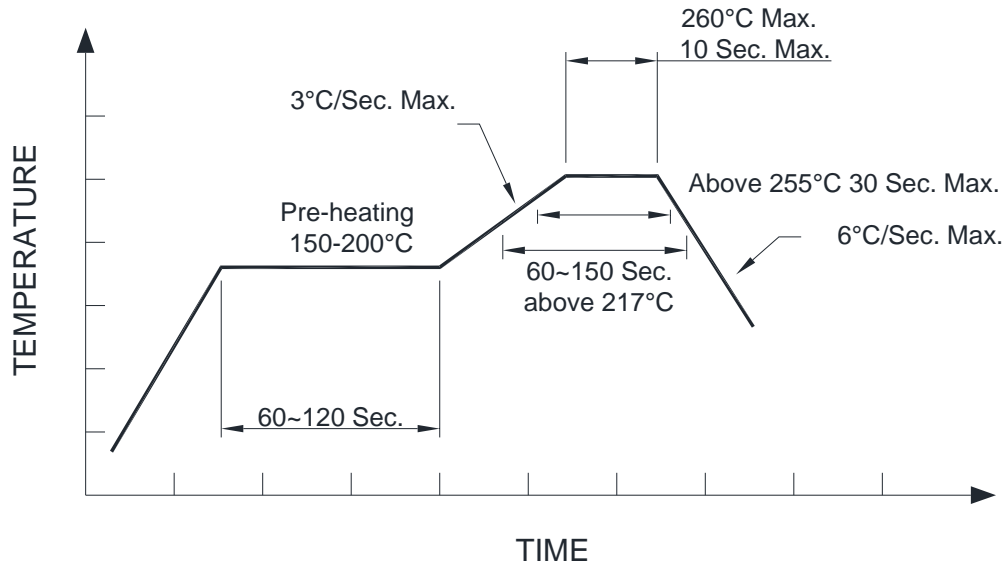
Note:

A spacing of approximately 160mm between the front edge of tape

Tape Dimension:



Recommended Pb-free re-flow soldering profile:



Note:

All the specifications listed in this data sheet are suitable for general electronic equipment, office equipment and communication devices. Kindly consult Sales Representatives for specific reliabilities request, Forward Voltage, Luminous Intensity, Wavelength, Radiant Power or Viewing Angle.